

ACK4

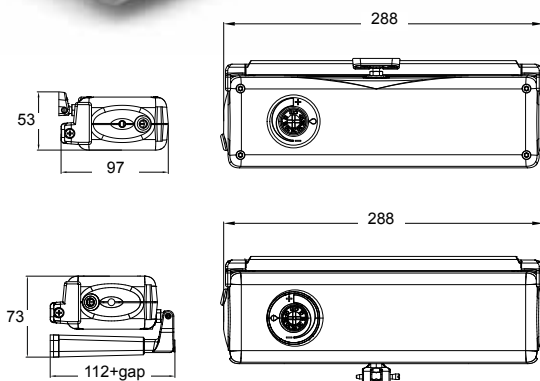
Chain actuator
Thrust force 300N
Adjustable stroke max. 400mm



DESCRIPTION FOR TECHNICAL SPECIFICATIONS

Electric actuator Topp model ACK4 with a double link articulated stainless steel chain, enclosed in a special diecast aluminum casing, painted with epoxy powders, with different mounting accessories for top and bottom hung windows. Operation at 230V 50Hz, as an alternative, at 24V DC. Max. traction and thrust force 300N. End of stroke adjustable at 100, 150, 200, 205, 300, 350, 400 mm by an external knob located on both sides of the actuator.

Electronic device with acoustic warning to signal erroneous installation (buzzer) Upon request, a preset "S" version for the synchronous operation of more actuators on the same window is available. High protection IP 55 rated. CE marked device. Upgraded version complying with the EN12101-2 standard designed for smoke ventilation applications (only 24V version).



Easy stroke adjustment (7 positions from 100 to 400mm) - International patent

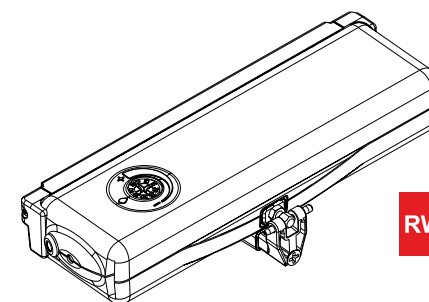
Double link articulated stainless steel chain

High protection IP 55 rated

TECHNICAL CHARACTERISTICS

| | ACK4 230V | ACK4 24V |
|---|--|-------------|
| Power supply voltage | 230V ~ 50Hz | 24V DC |
| Maximum applicable load in thrust | | 300 N |
| Maximum applicable load in traction | | 300 N |
| Strokes | 100 - 150 - 200 - 250 - 300 - 350 - 400 mm | |
| Absorbed current | 0,32 A | 1,35 A |
| Idle translation speed | 27 mm/s | 17 mm/s |
| Duration of the idle stroke | 15 s | 23 s |
| Double insulated | YES | - |
| Service Type | S2 of 2 min | S2 of 3 min |
| Operating temperature | -5°C +50°C | |
| Protection Class | IP 55 | |
| Adjustment of the window frame hooking system | 10 mm | |
| Parallel connection option | YES | |
| Synchronous operation of more actuators on the same window | with S version | |
| Chain position control | YES | |
| Stroke end | encoder | |
| Acoustic device that warns of any eventual incorrect installations (buzzer) | YES | |
| Dimensions | 288,5x83x47,8 mm | |
| Weight** | 1,9 kg | |

** Weight may vary according to the chosen accessories



CODE PRODUCT DESCRIPTION

ACK4 standard 1 push point

| | |
|------|---|
| 3A1# | ACK4 chain actuator 230V - black RAL 9005 |
| 3A1# | ACK4 chain actuator 230V - grey RAL 9006 |
| 3A1# | ACK4 chain actuator 230V - white RAL 9010 |
| 3A1# | ACK4 chain actuator 24V - black RAL 9005 |
| 3A1# | ACK4 chain actuator 24V - grey RAL 9006 |
| 3A1# | ACK4 chain actuator 24V - white RAL 9010 |

RWA ACK4 RWA version 1 push point (without upper bracket for bottom hung windows)

| | |
|-------|--|
| 3A11# | ACK4 chain actuator 24V RWA version - black RAL 9005 3mt silicon cable |
| 3A11# | ACK4 chain actuator 24V RWA version - silver RAL 9006 3mt silicon cable |
| 3A11# | ACK4 chain actuator 24V RWA version - white RAL 9010 3mt silicon cable |

SYNC CK4S version for the synchronous operation of more ACK4 on the same window frame available

Description of the standard pattern for 1 push point

| | |
|------|---|
| 3A1# | ACK4 chain actuator 230V Frontal bracket for top/bottom hung windows Upper bracket for bottom hung windows Hooking device to the frame and spare parts |
|------|---|

Description of the standard pattern for 2 push points

| | |
|-------|----------------------------------|
| 3A12# | ACK4 chain actuator 230V - black |
| 3A12# | ACK4 chain actuator 230V - black |

RWA Description of the standard pattern for 2 push points - RWA version

| | |
|-------|--|
| 3A12# | ACK4S chain actuator 24V - RWA version |
| 3A12# | ACK4S chain actuator 24V - RWA version |

Accessories and spare parts

| | |
|--------|---|
| 3A1360 | Frontal bracket for top/bottom hung windows - black |
| 3A1362 | Frontal bracket for top/bottom hung windows - silver |
| 3A1361 | Frontal bracket for top/bottom hung windows - white |
| 3A1391 | Large swivel brackets set frontal mounting - black |
| 3A1393 | Large swivel brackets set frontal mounting - silver |
| 3A1392 | Large swivel brackets set frontal mounting - white |
| 3A1380 | Fixed vertical mounting brackets set - black |
| 3A1382 | Fixed vertical mounting brackets set - silver |
| 3A1381 | Fixed vertical mounting brackets set - white |
| 3A1396 | Small vertical mounting brackets set - black |
| 3A1398 | Small vertical mounting brackets set - silver |
| 3A1397 | Small vertical mounting brackets set - white |
| 3A1355 | Upper bracket for bottom hung windows - black |
| 3A1356 | Upper bracket for bottom hung windows (RWA version) - black |
| 3A1375 | Single swivel bracket for bottom hung windows - black |
| 3A1377 | Single swivel bracket for bottom hung windows - silver |
| 3A1376 | Single swivel bracket for bottom hung windows - white |
| 3A1001 | Hooking device to the frame with pin and spare parts |
| 0B0005 | Extension pin h 37,5 (overlap 10-20mm) |
| 0B0007 | Extension pin h 47,5 (overlap 20-30mm) |
| 0B0006 | Extension pin h 57,5 (overlap 30-40mm) |

Special lead max. 6mt long available

