

Architectural mechanical equipment

Manual controls - Maxi Control



Supplied in polyester powder coated white, silver, brown or black finish to match the chain openers and feature No-back clutches for security and wind loading.

An operator designed for applications requiring maximum range of vents. Ideal for use with larger and heavier windows including multiply windows.

Colors:

- White , Silver, Brown and Black

Part Numbers

Part No. 213240

Handle Part No. 201647

Trust & Traction Force 32kg.



Window Controls Ltd

A Breath of Fresh Air

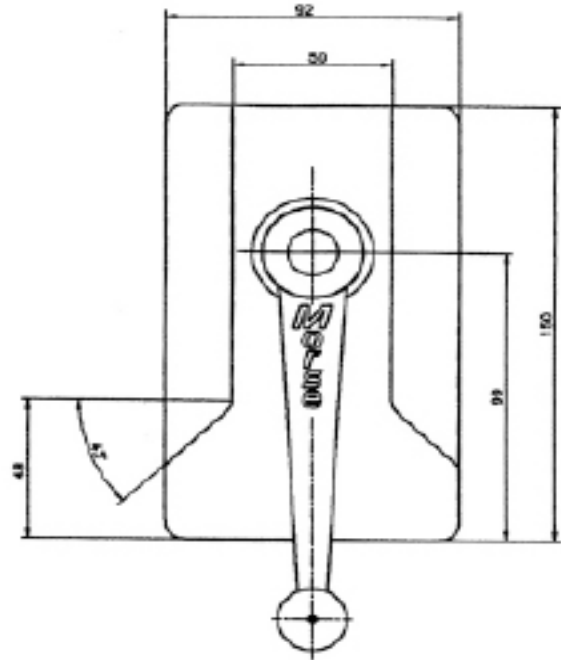
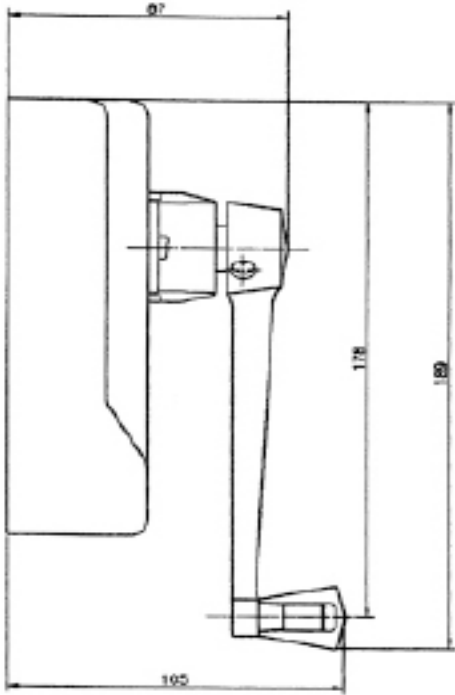
L. P. Window Controls Ltd
Approved Distributors & Installers
Hindle Clearline (Teleflex) Window Control Systems
Unit 9, Buckwins Square
Burnt Mills Industrial Estate
Basildon, Essex, SS13 1BJ
Tel: 01268 724506 Fax: 01268 727971
www.lpwindowcontrols.co.uk
e-mail: info@lpwindowcontrols.co.uk

Architectural mechanical equipment

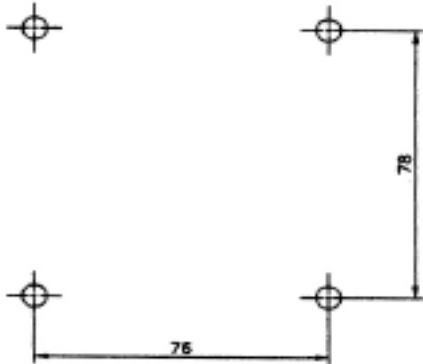


Manual controls - Maxi Control

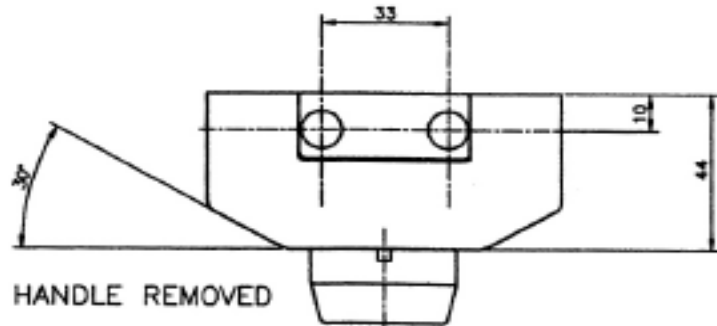
Technical Specification



Handle 125mm (5")
Width 92.4mm
Length 150.4mm
Box depth 44mm
Overall depth 102.5mm



VIEW WITH HANDLE REMOVED



Window Controls Ltd
A Breath of Fresh Air

L. P. Window Controls Ltd
Approved Distributors & Installers
Hindle Clearline (Teleflex) Window Control Systems
Unit 9, Buckwins Square
Burnt Mills Industrial Estate
Basildon, Essex, SS13 1BJ
Tel: 01268 724506 Fax: 01268 727971
www.lpwindowcontrols.co.uk
e-mail: info@lpwindowcontrols.co.uk