

Architectural mechanical equipment

Manual controls - Chain Opener



This inconspicuous opener features a fully retracting stainless steel chain with quick release window attachments to facilitate window cleaning. With an internal projection of 64mm (2 1/2") the enclosed chain case permits ease of operation whilst allowing close fitting of curtains or blinds.

Available complete in both 250mm (10") and 400mm (14") travel increments, the chain opener will remain as rigid as a peg stay when extended throughout it's working lifetime.

The all metal chain opener has a high resistant polyester powder white, silver, brown or black finish now with stainless steel chain for greater strength, durability and corrosion free.

Colours:

White, Silver, Brown and Black

Part Numbers

Part No. 213241 250mm

Part No. 231242 400mm.



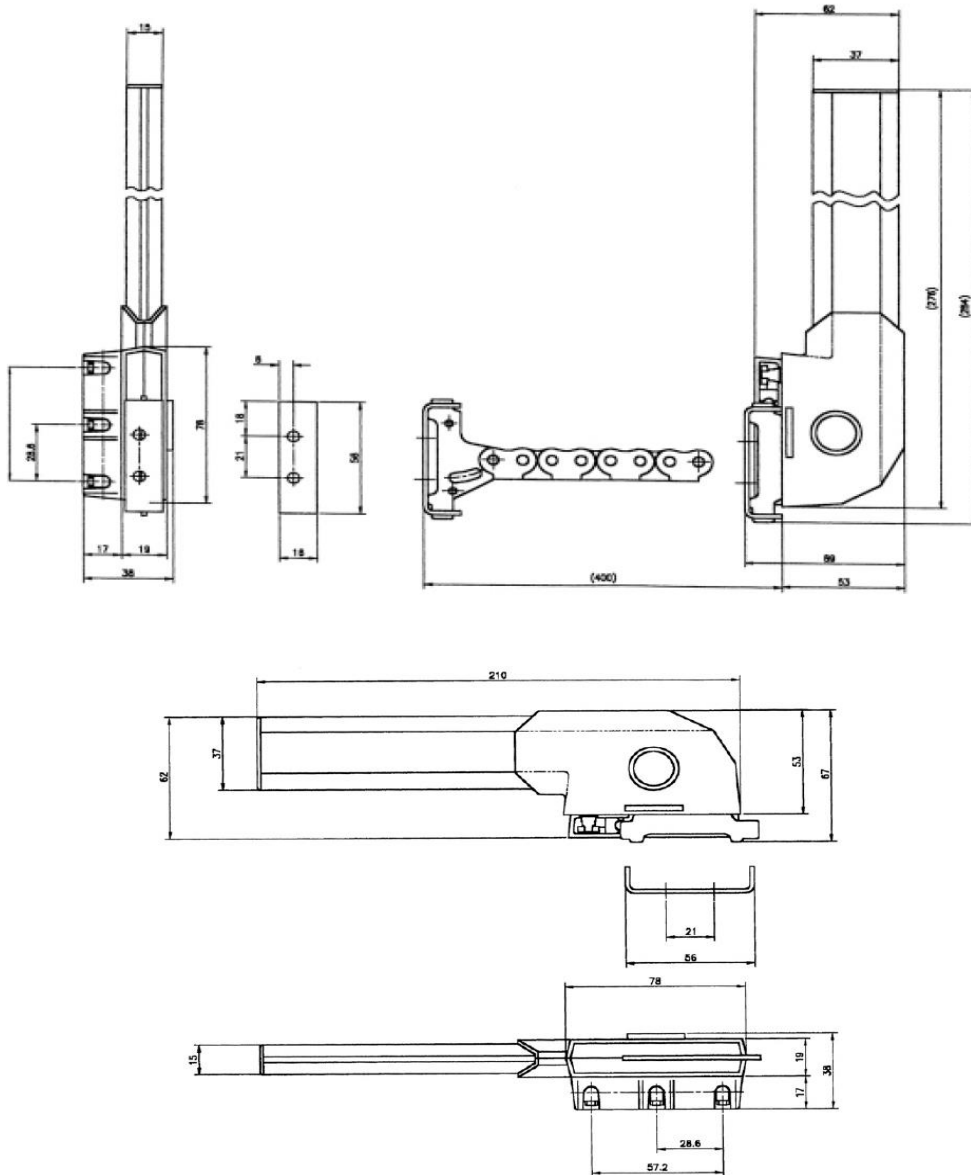
Window Controls Ltd
A Breath of Fresh Air

L. P. Window Controls Ltd
Approved Distributors & Installers
Hindle Clearline (Teleflex) Window Control Systems
Unit 9, Buckwins Square
Burnt Mills Industrial Estate
Basildon, Essex, SS13 1BJ
Tel: 01268 724506 Fax: 01268 727971
www.lpwindowcontrols.co.uk
e-mail: info@lpwindowcontrols.co.uk

Architectural mechanical equipment

Manual controls - Chain Opener

Technical Specification



Window Controls Ltd
A Breath of Fresh Air

L. P. Window Controls Ltd
Approved Distributors & Installers
Hindle Clearline (Teleflex) Window Control Systems
Unit 9, Buckwins Square
Burnt Mills Industrial Estate
Basildon, Essex, SS13 1BJ
Tel: 01268 724506 Fax: 01268 727971
www.lpwindowcontrols.co.uk
e-mail: info@lpwindowcontrols.co.uk